

Manual Bike LED Front Light DLUX 30 N++ / DLUX 50 N++

Congratulations on the purchase of your new device. The user's manual is part of this device and contains important information to safety, installation and disposal. Familiarize yourself with all operating and safety instructions before using the device. Use the device as described and in the specified areas of application. Keep this manual in a safe place and hand it with you when distributing the device.

Used symbols



Green Point – Recycling the packaging



Symbol for the detection of electrical and electronic devices



K XXXX Test mark of the Federal Motor Transport Authority (K with the following approval number)

Proper use

The product is intended for use on bicycles with pedal assistance and serves the illumination of the road. This LED front light is approved according to the currently valid RTRL (StVZO). The product is intended for outdoor use.

Safety information

- Do not look into the LEDs of the front
- Do not point the LED front light directly at people or animals.
- The light beam of the LED front light must point straight in direction.
- The light distribution may be obscured by no other attached parts or pieces of luggage, not even partially.
- The LEDs are not interchangeable. If the LED fails, the entire luminaire must be replaced.
- The front light or the rear light may only be mounted on bicycles with an AC power supply
- Please note that the DC version may only be used on bicycles with electric pedal assistance. If, after the support drive has been turned off due to discharge
- an uninterrupted power supply to the lighting system is still ensured for at least two hours after the support drive has been turned off due to discharge, or if the drive motor can be used as an alternator on a transitional basis in order to continue to supply power to the lighting system.

Safety information

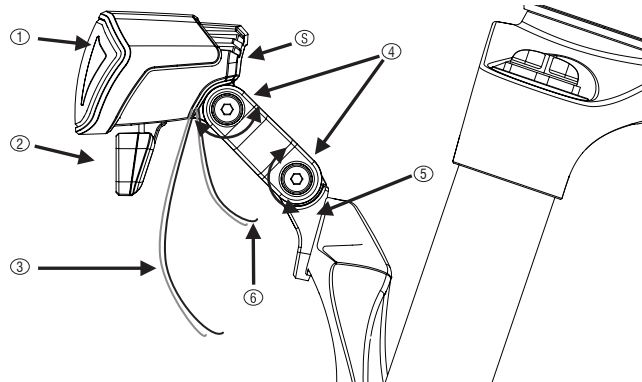
WARNING! LIFE AND ACCIDENT HAZARD FOR INFANTS AND CHILDREN!

Never leave children unattended with the packaging material, because of suffocation danger by swallowing packaging parts. Always keep the device away from children. The device is not a toy! This device can be used by children of age 8 and over and by persons with reduced physical or mental capabilities or lack of experience and knowledge if they have been supervised or instructed concerning the safe use of the device and by understanding resulting hazards. Children are not allowed to play with the device. Cleaning and user maintenance should not be carried out by children without supervision. Do not disassemble the device. Improper repairs can cause significant risks for the user. Only have repairing made by qualified personnel.

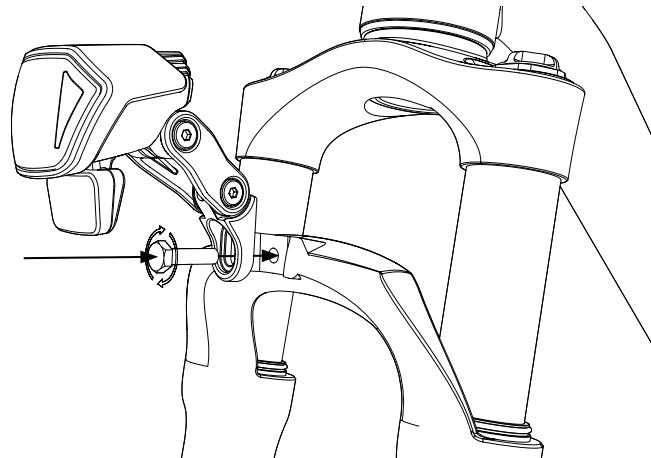
Mapped components

- ① Front light
- ② Integrated reflector
- ③ Connecting cable on the electrical bike system
- ④ Adjusting screw for height adjustment
- ⑤ Front light bracket
- ⑥ Connecting cable for rear light connection
- ⑦ Sensor for ambient light

Front light with holding basket and reflector

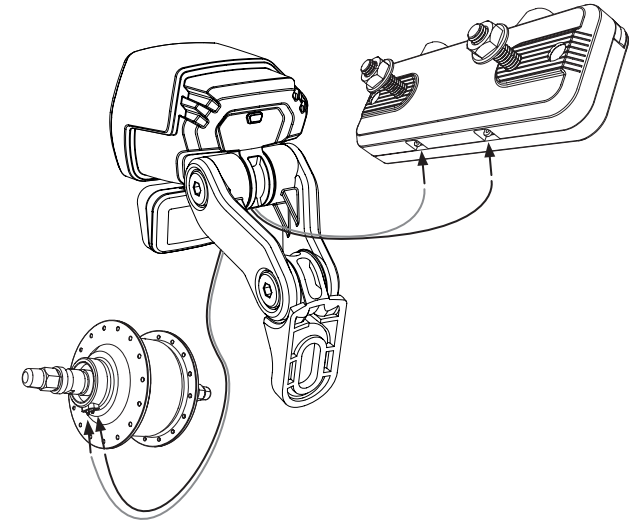


LED Front light assembly



Front light (1) mount to the steel bracket and make sure that the front light (1) cannot be adjust by itself (tighten the screw firmly enough!)

Connection to the electric system

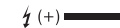


A pair of cables (longer) (3) for connecting to the dynamo is located at the bottom of the front light (1). The pair of cables can be cut if necessary. The second (shorter) pair of cables is for connection to the rear light wiring. If a dynamo-rear light is used, it must be connected to the front light. If there is no cable from the rear light, it can be made with an extension cable (specialized trade). The front light can basically be connected to both hub and side-running dynamos that produce 6V.

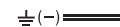
Attention: If the front light is connected to a side-running dynamo, the dynamo's drive wheel must be in continuous contact with the tire for proper working.

Attention: Always pay attention to the correct polarity. Never completely break the front light cable. The electrical connection may only be made by a qualified electrician.

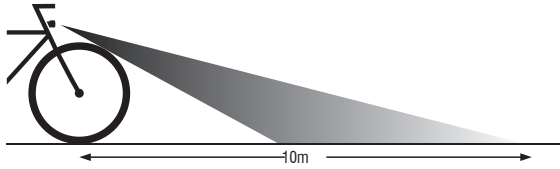
Black cable = power



Black-white cable = earth



Front light adjustment

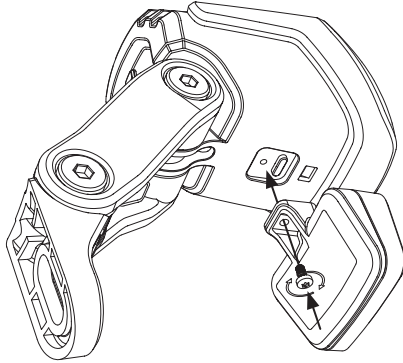


Align the LED front light so that the light beam reaches the road approx. 10 meters in front of the wheel (see ill.).

Attention!

! Check regularly the correct setting of your front light. The light beam of the LED front light must point straight in direction from 400 up to 1200mm.

Front reflector assembly (optional)



It is possible to mount a white reflector (2) to the bottom of the front light (1). The reflector is equipped with two pins that adapt into the holes of the front light. Screw the reflector to the front light for a permanent attachment.

Operation

The front light has an automatic mode.

The sensor (S) located at the rear is permanently active. As soon as the sensor (S) detects that there is not enough daylight, the front light will turn on.

Standlight function

When the front light is switched on, the standlight function is automatically activated. The power is supplied by a maintenance-free capacitor which is fully charged after approx. 4 minutes of operation. As soon as the bike stops, the LED lights for another 4 minutes.

Dispose of packaging and devices in an environmentally friendly way!



The packaging is made of environmentally friendly materials which you can dispose of at local recycling centers. Throw your device if it has been used in the interests of environmental protection, not in the household waste, but run it to a proper disposal. You can find out about collective places and their opening times by your responsible management. Disposal of the disused device is available at your local or city government office.

Cleaning

Clean the device only with a slightly damp, lint-free cloth. Never completely immerse the device under water. Do not use any corrosive or abrasive cleaners. This causes damage to the device.

Warranty conditions

Dear Customer, you will receive a 2-year warranty on this device from the date of purchase. In the event of defects in this product, you have legal rights against the seller of the product. These legal rights are not limited by the warranty below.

Guarantee conditions

The warranty period begins with the date of purchase. Please keep the original receipt. This document is required as a proof of purchase. If a defect in material or workmanship occurs within 2 years from the date of purchase of this product, the product will be repaired or replaced by us at our discretion free of charge. This warranty requires that within the 2-year period, the defective device and the proof of purchase (receipt) presented and briefly described in writing, what the defect is and when it occurred. If the defect is covered by our warranty, you will receive the repaired or a new product back. Repair or replacement of the product does not commence a new warranty period. The guarantee time is not extended by the guarantee. This also applies to replaced and repaired parts. Any damage and defects already existing at the time of purchase must be reported immediately after unpacking. After the warranty period incurred repairs are chargeable.

Warranty scope

The device has been carefully produced according to strict quality guidelines and METI-culously checked before delivery. The warranty applies to material or manufacturing defects. This warranty does not cover product parts that are subject to normal wear and tear and can be considered as wearing parts or for damage to fragile components, such as switches, batteries or part made of glass. This warranty is void if the product has been damaged, improperly used or serviced. For proper use of the product, all instructions given in the operating instructions must be exactly followed. Uses and actions that are advised against or warned against in the operating instructions are to be absolutely avoided. The product is intended for private and non-commercial use only. Abusive and improper handling, use of force and internal tampering not carried out by our authorized service branch, the warranty will be void. If malfunctions or other defects occur, please first contact the service department named below by phone or e-mail.

Product features

Model:	DLUX 30 N++ / DLUX 50 N++
Luminosity:	30 Lux / 50 Lux
Nominal voltage:	6 V
Nominal power:	DLUX 30 N++: 0,5 W DLUX 50 N++: 0,9 W

SERVICE + SUPPLIER

Hermann Hartje KG
Deichstr. 120-122
27318 Hoya

Tel.: 04251/811-0

www.contec-parts.com
info@contec-parts.de